

2

1

# TC-Style Connector Instructions Step 1

## Required Tools for Assembly:

5/16" Wrench

1/2" Wrench

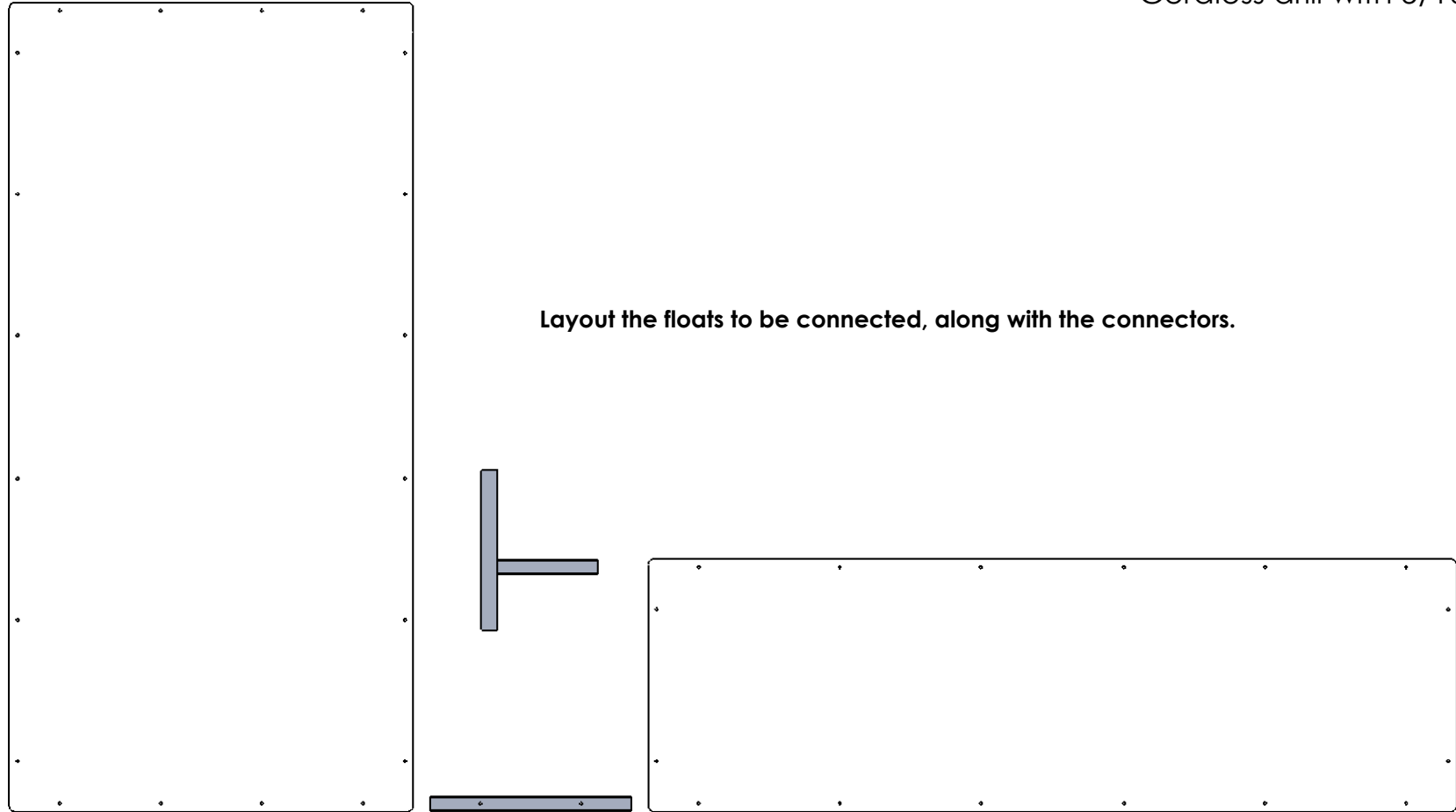
Cordless drill with 5/16" drill bit

### Plan View

B

B

Layout the floats to be connected, along with the connectors.



A

A

PART: TC-Style Connector

REF #: CON - TC1

REV 1

DRAWN:

C. DiBiasio

SCALE: 1:20

CHECKED:

J. Harrison

SHEET 1 OF 4

DATE:

12/10/15



Your First Choice for Floating Dock Solutions

2

1

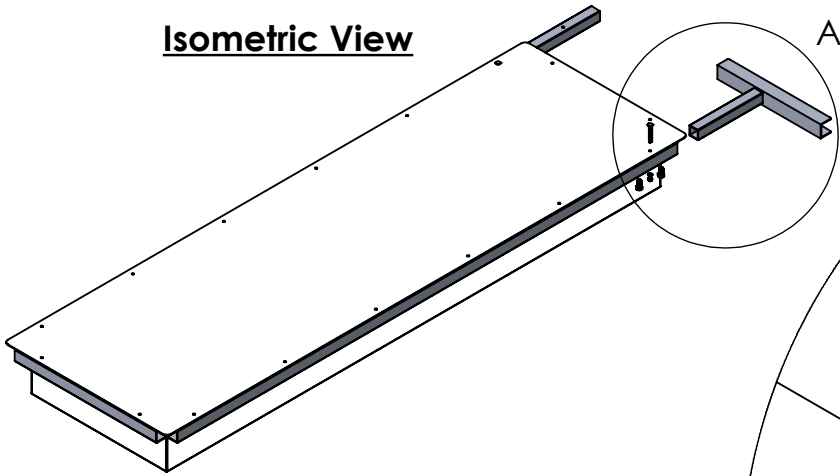
2

1

# TC-Style Connector Instructions Step 2

DETAIL A  
SCALE 1 : 5

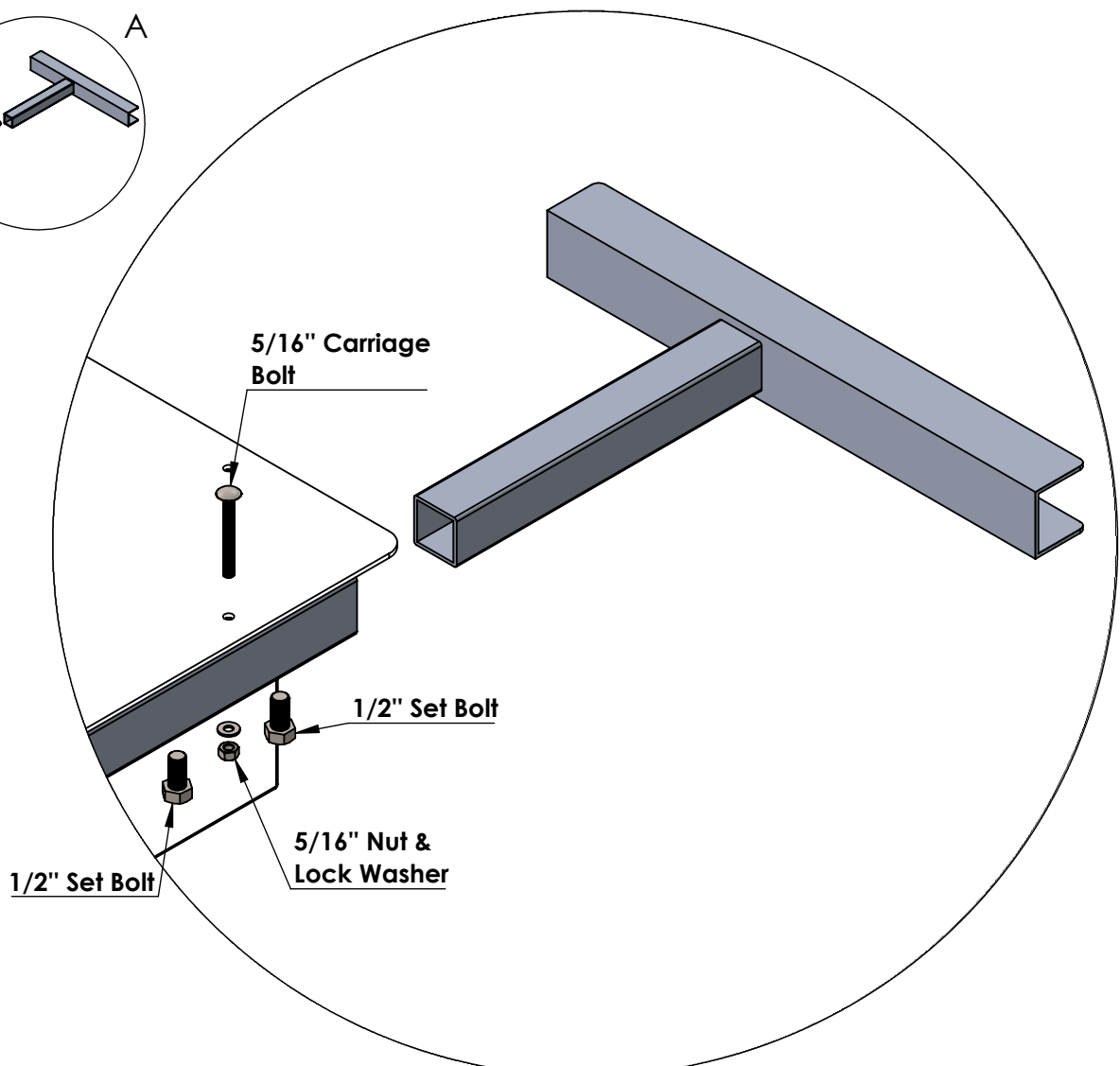
Isometric View



**Directions:**

Follow the steps in the "General Float Connector Instructions" in order to properly insert this end of the TC-Connector into the float. Before drilling the 5/16" hole through the connector, make sure it is in as far as it can go to ensure a tight connection.

**\*\* The orientation of each TC-Connector is important, make sure that the channel will reach two 5/16" bolt holes on the other float before attaching this side.**



5/16" Carriage Bolt

1/2" Set Bolt

5/16" Nut & Lock Washer

1/2" Set Bolt

A

B

A

PART: TC-Style Connector

REF #: CON - TC1

REV 1	DRAWN: C. DiBiasio
SCALE: 1:25	CHECKED: J. Harrison
SHEET 2 OF 4	DATE: 12/10/15



Your First Choice for Floating Dock Solutions

2

1

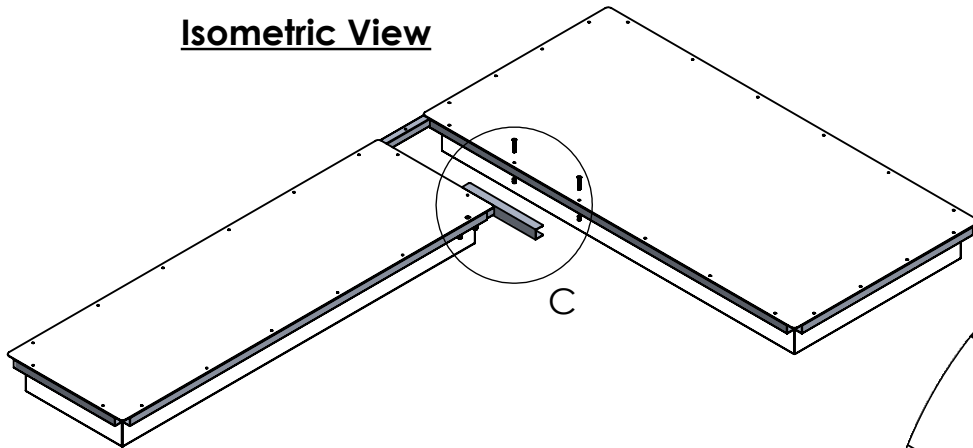
2

1

## TC-Style Connector Instructions

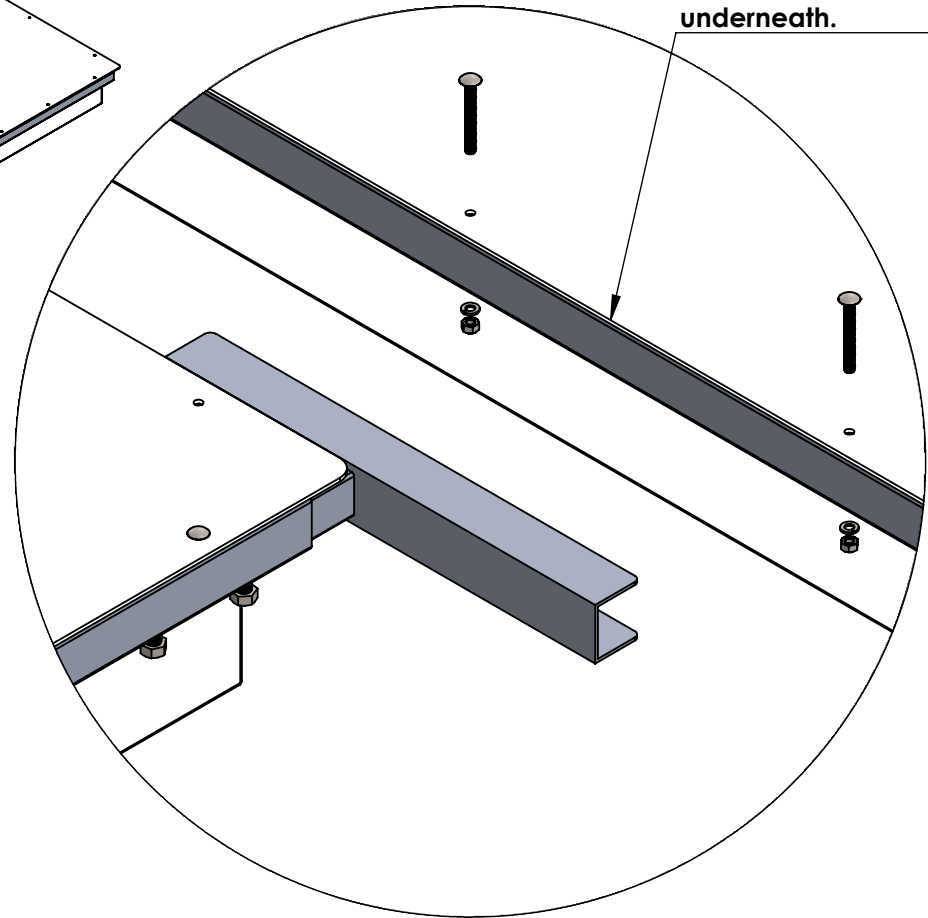
### Step 3

#### Isometric View



DETAIL C  
SCALE 1 : 6

Lift the plastic here to slide the TC-Connector underneath.



#### Directions:

The Channel side of the TC-Connector will line up with two 5/16" bolts, if it doesn't then it may have to be flipped over.

After removing the 5/16" hardware, lift the plastic so the top of the TC-Connector can slide under it. Make sure the floats are pushed tightly together. Using a 5/16" drill bit, drill a hole through the TC-Connector and re-insert the hardware.

**DO NOT OVER TIGHTEN**

PART: TC-Style Connector

REF #: CON - TC1

REV 1

DRAWN:

C. DiBiasio

SCALE: 1:35

CHECKED:

J. Harrison

SHEET 3 OF 4

DATE:

12/10/15

**AccuDock**

Your First Choice for Floating Dock Solutions

2

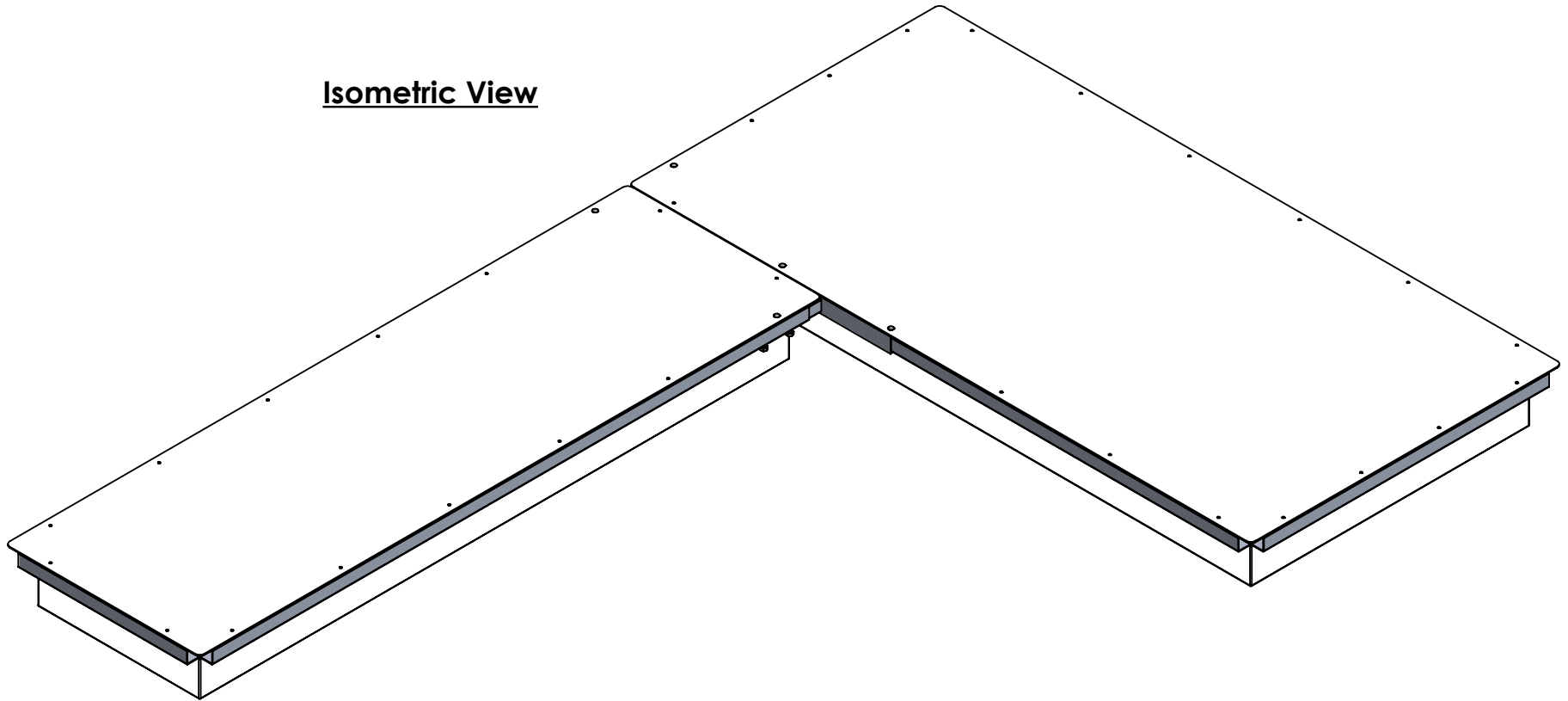
1

2

1

# TC-Style Connector Instructions Final Connected Floats

Isometric View



B

B

A

A

PART: TC-Style Connector

REF #: CON - TC1

REV 1	DRAWN:	C. DiBiasio
SCALE: 1:18	CHECKED:	J. Harrison
SHEET 4 OF 4	DATE:	12/10/15



Your First Choice for Floating Dock Solutions

2

1