

Required Tools for Assembly:

5/16" Wrench

Cordless drill with 5/16" drill bit

Safe Launch Installation Instructions

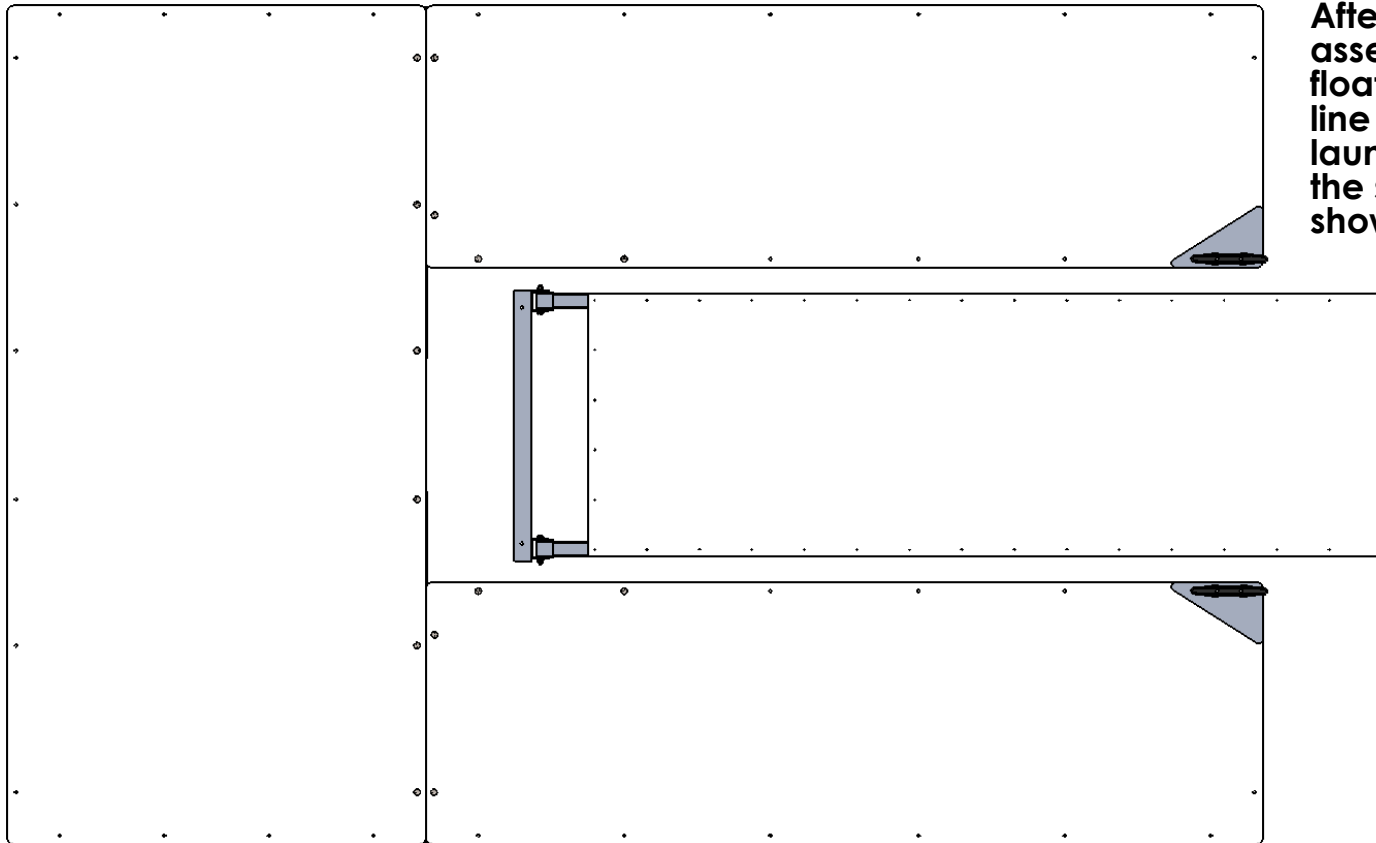
Step 1

"Line Up the Safe Launch in the Slip"

Plan View

Directions:

After assembling the float sections, line up the safe launch inside the slip as shown.



B

B

A

A

PART: Safe Launches	REF #: ACC - SF	REV 1	DRAWN: C. DiBiasio	 Your First Choice for Floating Dock Solutions
		SCALE: 1:22	CHECKED: J. Harrison	
		SHEET 1 OF 4	DATE: 01/13/16	

2

1

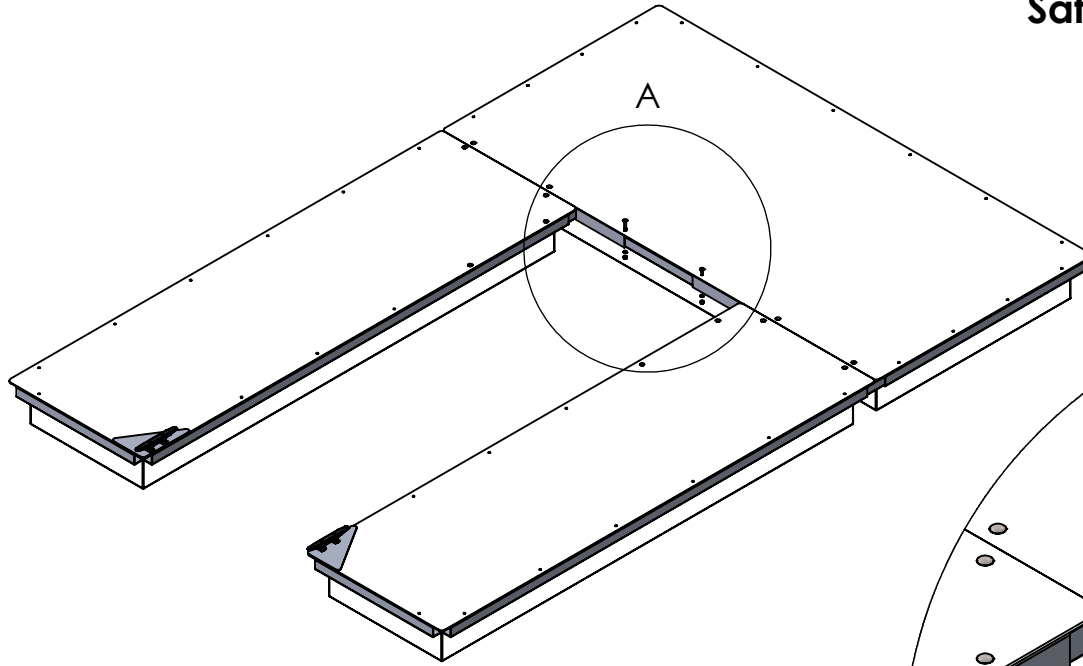
Safe Launch Installation Instructions

Step 2

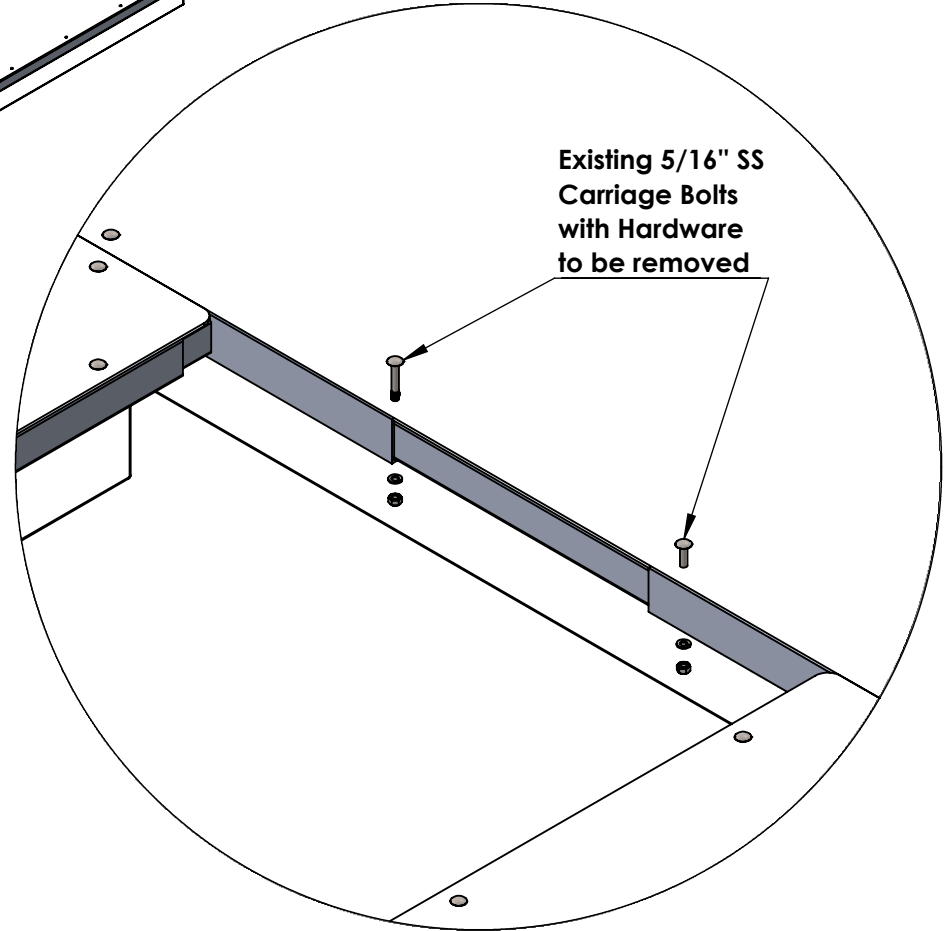
"Removing the Hardware"

B

B



DETAIL A
SCALE 1 : 8



Existing 5/16" SS
Carriage Bolts
with Hardware
to be removed

Directions: (See Detail A)

**Remove the existing
5/16" hardware located
where the safe launch
will attach.**

A

A

PART: Safe Launches

REF #: ACC - SF

REV 1	DRAWN:	C. DiBiasio
SCALE: 1:30	CHECKED:	J. Harrison
SHEET 2 OF 4	DATE:	01/13/16



Your First Choice for Floating Dock Solutions

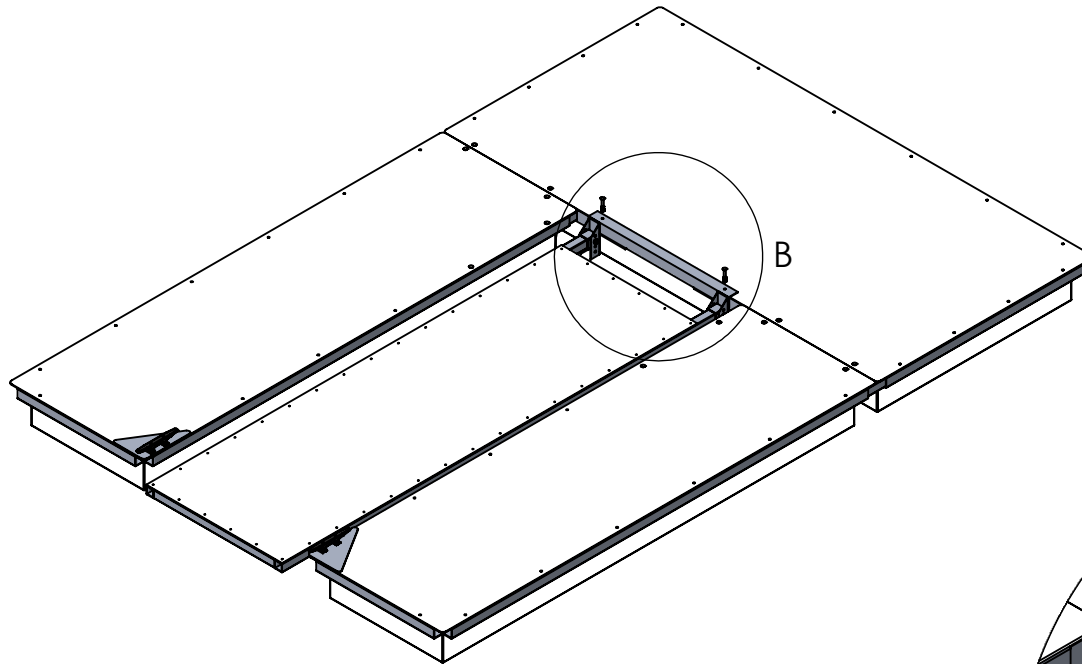
2

1

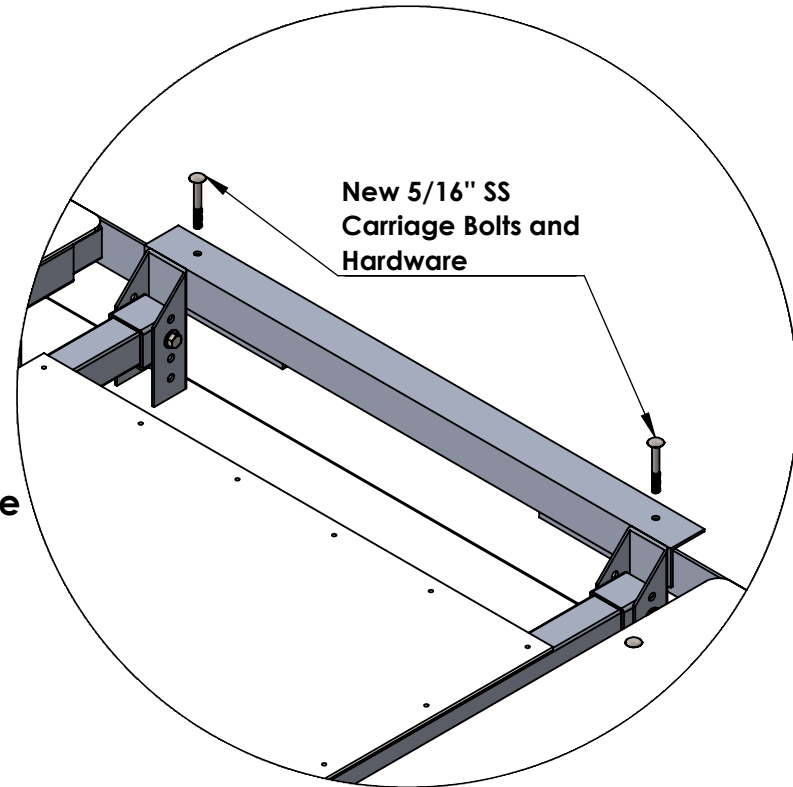
2

1

Safe Launch Installation Instructions Step 3 "Attaching the Safe Launch"



DETAIL B
SCALE 1 : 8



New 5/16" SS
Carriage Bolts and
Hardware

Directions: (See Detail B)

Ensure that the safe launch is directly in the center of the slip.

Press the mounting angle fully against the frame of the float.

Using a 5/16" drill bit, drill two holes through the mounting angle and float frame.

Insert the new, included 5/16" hardware into the holes and tighten in order to secure the safe launch to the float.

PART: Safe Launches

REF #: ACC - SF

REV 1

DRAWN:

C. DiBiasio

SCALE: 1:30

CHECKED:

J. Harrison

SHEET 3 OF 4

DATE:

01/13/16

AccuDock

Your First Choice for Floating Dock Solutions

2

1

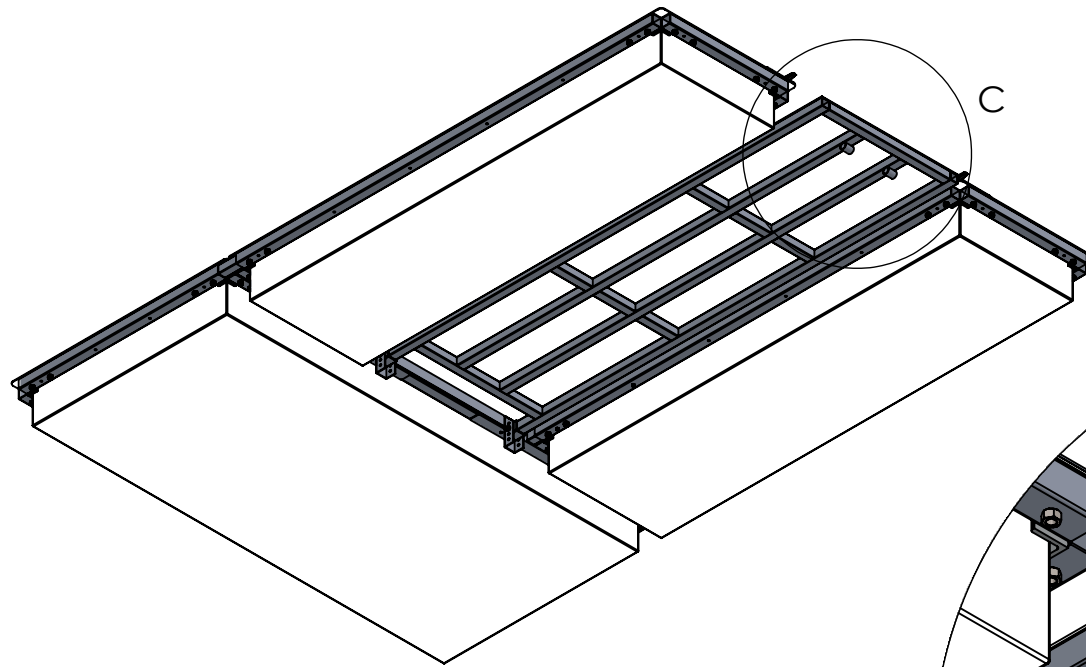
2

1

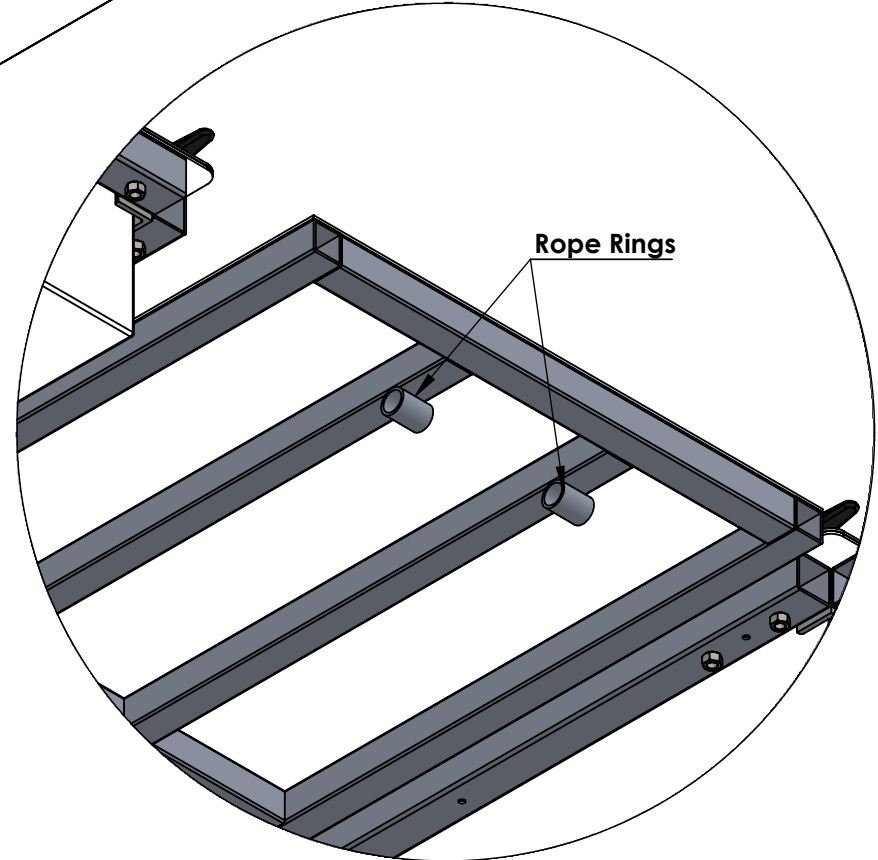
Safe Launch Installation Instructions Step 4 "Using the Rope"

B

B



DETAIL C
SCALE 1 : 8



Directions: (See Detail C)

Take the included rope, and loop it through the rings shown in Detail A located on the bottom of the safe launch.

Tie each end of the rope to the cleats in order to secure the safe launch in place at the desired height.

A

A

PART: Safe Launch

REF #: ACC - SF

REV 1	DRAWN: C. DiBiasio
SCALE: 1:30	CHECKED: J. Harrison
SHEET 4 OF 4	DATE: 01/13/16



2

1