

2

1

S-Style Connector Instructions Step 1

Required Tools for Assembly:

5/16" Wrench

1/2" Wrench

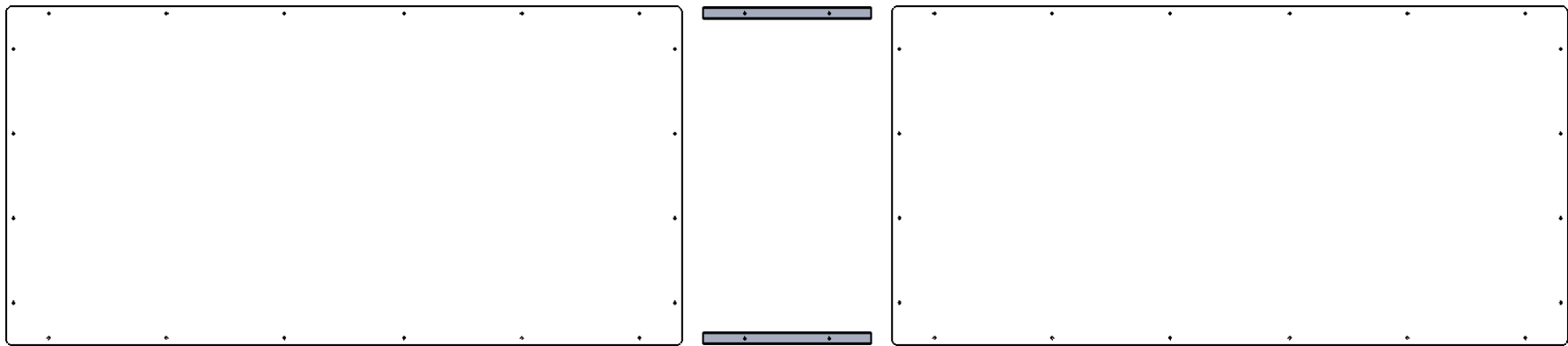
Cordless drill with 5/16" drill bit

B

B

Plan View

Layout the floats to be connected, along with the connectors.



A

A

PART: S-Style Connector

REF #: CON - S10

REV 1

DRAWN:

C. DiBiasio

SCALE: 1:24

CHECKED:

J. Harrison

SHEET 1 OF 4

DATE:

12/10/15



Your First Choice for Floating Dock Solutions

2

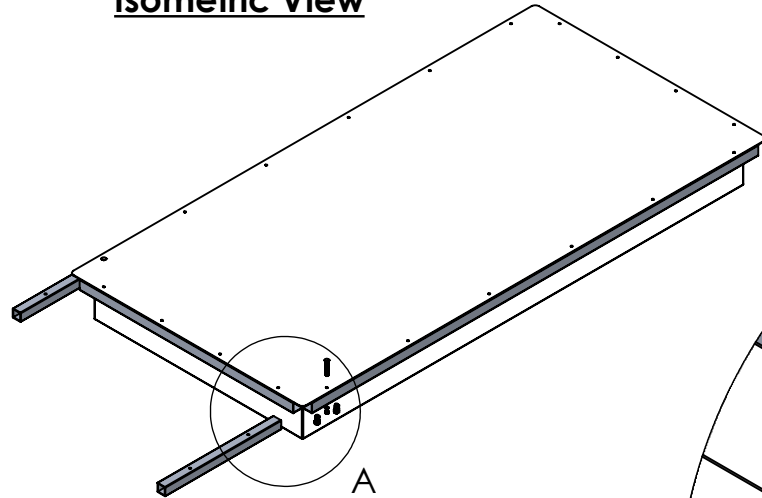
1

2

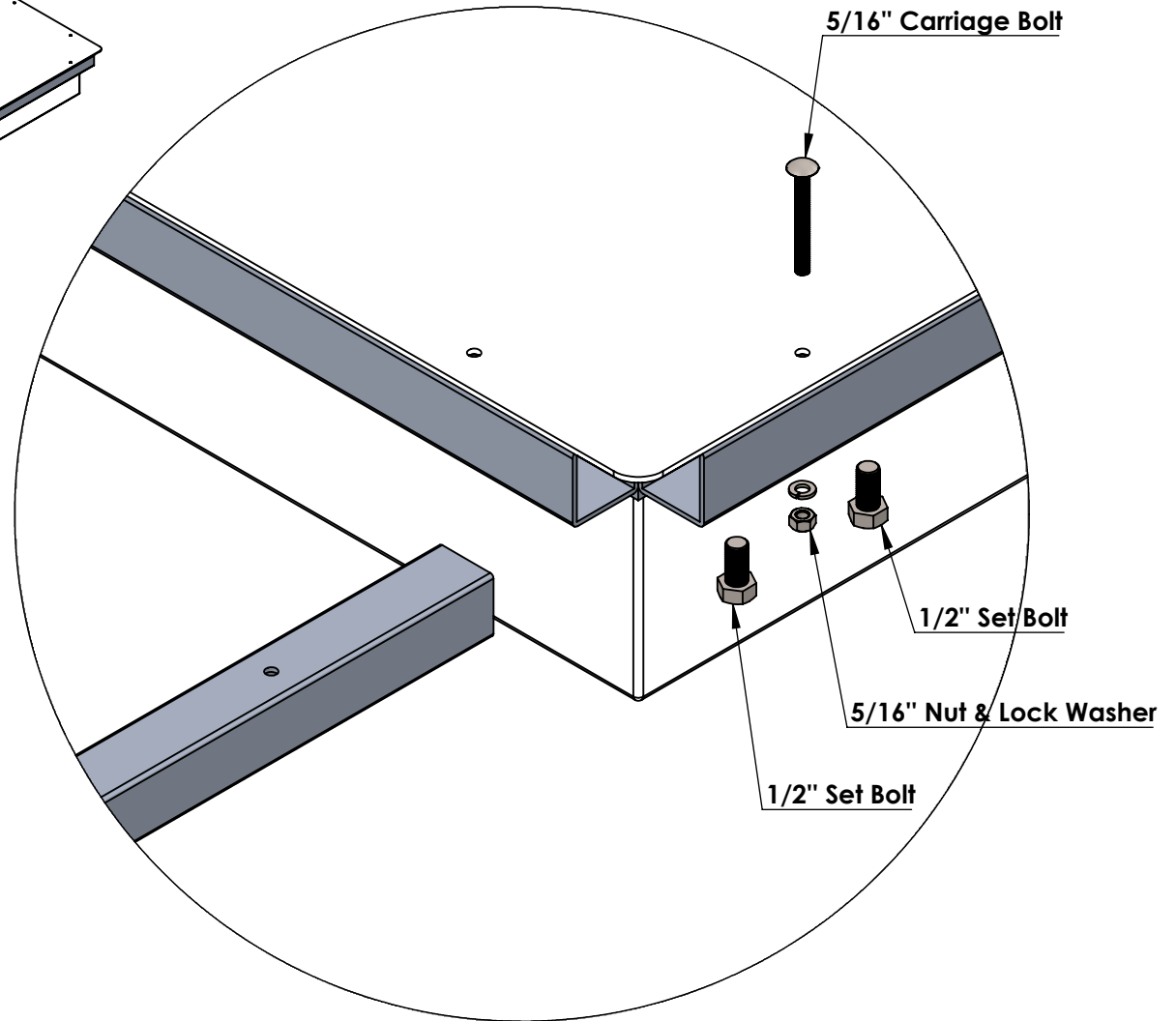
1

S-Style Connector Instructions Step 2

Isometric View



DETAIL A
SCALE 1 : 4



Directions:
Follow the steps in the
"General Float Connector
Instructions" in order to insert
one end of the S-Connector
into the float.

B

B

A

A

PART: S-Style Connector

REF #: CON - S10

REV 1	DRAWN: C. DiBiasio
SCALE: 1:28	CHECKED: J. Harrison
SHEET 2 OF 4	DATE: 12/10/15



2

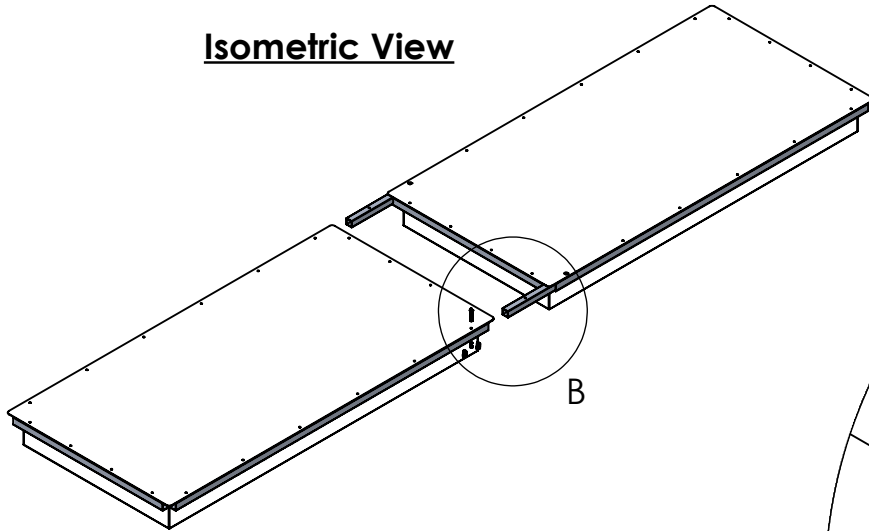
1

2

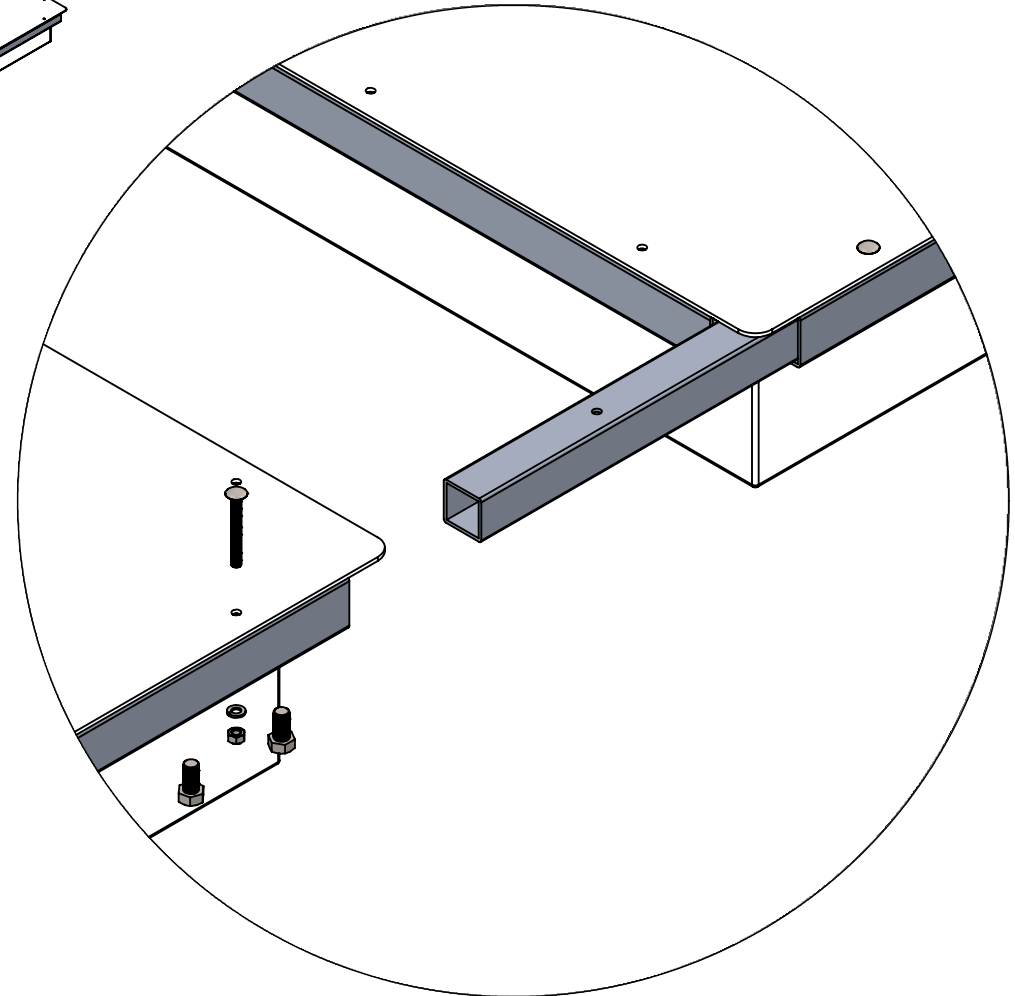
1

S-Style Connector Instructions Step 3

Isometric View



DETAIL B
SCALE 1 : 6



Directions:
 Follow the steps in the "General Float Connector Instructions" in order to insert the other end of the S-Connector into the 2nd float.

B

B

A

A

PART: S-Style Connector

REF #: CON - S10

REV 1	DRAWN: C. DiBiasio
SCALE: 1:40	CHECKED: J. Harrison
SHEET 3 OF 4	DATE: 12/10/15

AccuDock
 Your First Choice for Floating Dock Solutions

2

1

2

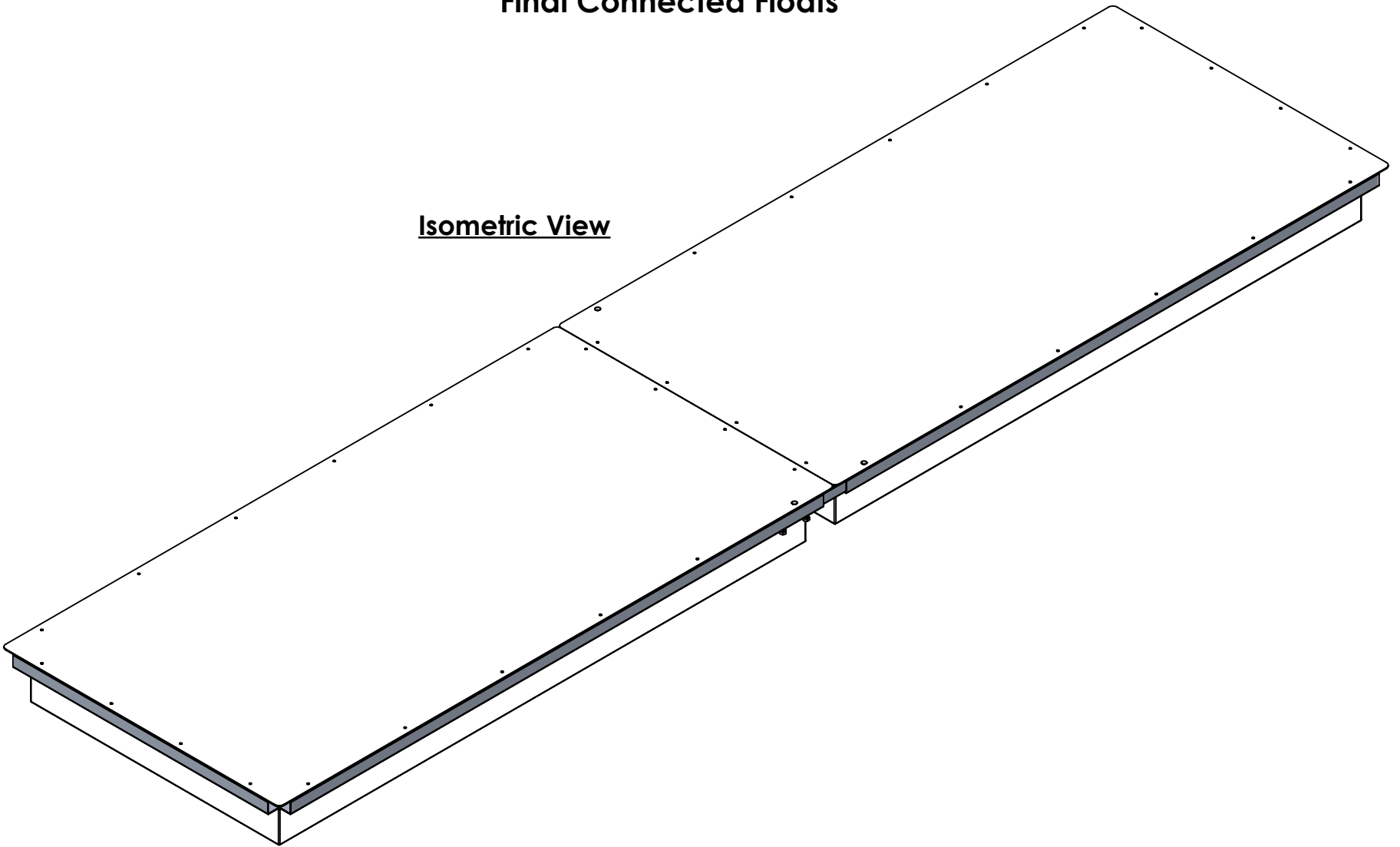
1

S-Style Connector Instructions Final Connected Floats

B

B

Isometric View



A

A

PART: S-Style Connector

REF #: CON - S10

REV 1	DRAWN: C. DiBiasio
SCALE: 1:18	CHECKED: J. Harrison
SHEET 4 OF 4	DATE: 12/10/15

AccuDock
Your First Choice for Floating Dock Solutions

2

1